

# E3 Supervisory Control for CO<sub>2</sub> applications

***Simplifying system complexities with advanced controls***

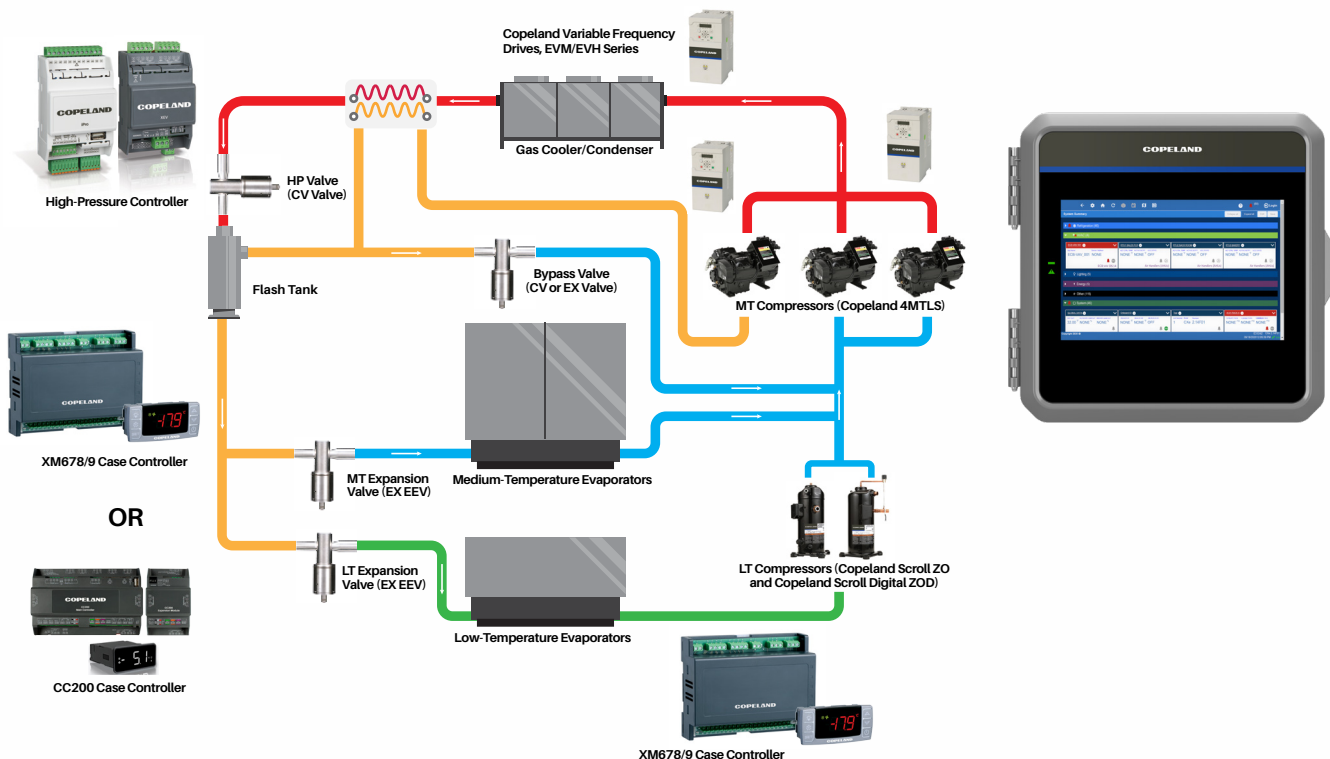
## ***Advanced controls for CO<sub>2</sub> applications***

For more than a decade, CO<sub>2</sub> refrigeration systems have experienced rising global adoption as environmentally friendly alternatives to traditional systems. Primarily used in large supermarkets where centralized architectures are preferred, CO<sub>2</sub> helps retailers achieve their sustainability objectives and comply with emerging regulations.

Today, our ever-expanding CO<sub>2</sub> product portfolio includes a breadth of solutions for transcritical, cascade and secondary architectures. To support this portfolio of CO<sub>2</sub> refrigeration solutions, Copeland is creating an E3 controller specifically designed for CO<sub>2</sub> applications to greatly reduce time and set-up complexity.

Our E3 CO<sub>2</sub> application offers:

- A control solution for a lower-GWP refrigeration system
- Proper and efficient visualization of system operation via one application
- Ability to customize all required system values in one view
- Reduce complexity by converting multiple applications into one
- A single application to manage a transcritical rack system with alarming, safety operation and system control
- Faster startup through simplified one-time setup and constant tuning of parameters



To learn more, visit [copeland.com](https://www.copeland.com)