



REFRIGERATION AND  
AIR CONDITIONING

# Instructions

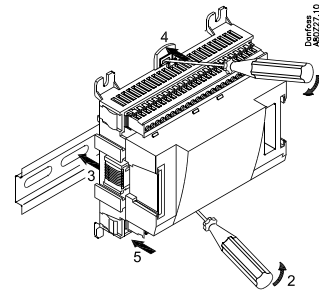
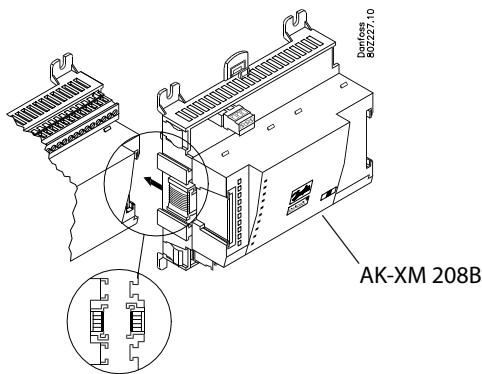
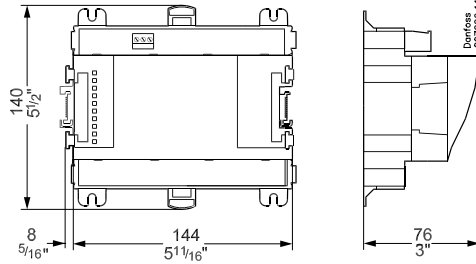
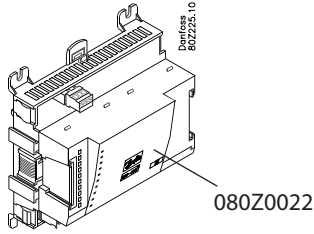
## Stepper output module AK-XM 208B



080R9255



RI8KG602



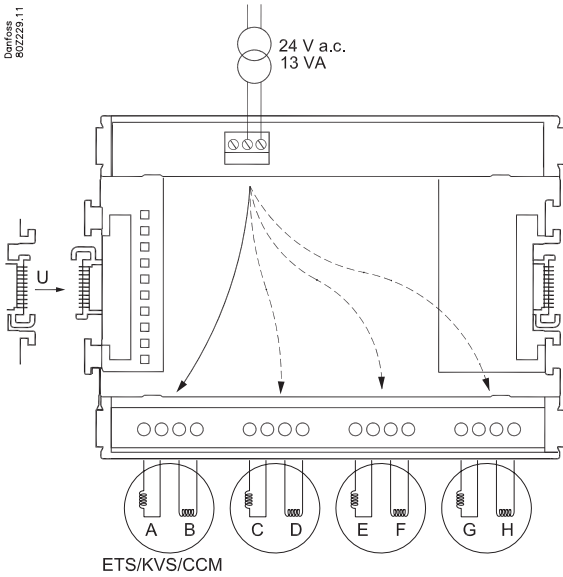
CE

-20° < t<sub>amb</sub> < 55°C  
-0°F < t<sub>amb</sub> < 130°F  
0 - 95% RH, non condensing  
IP10 / VBG4



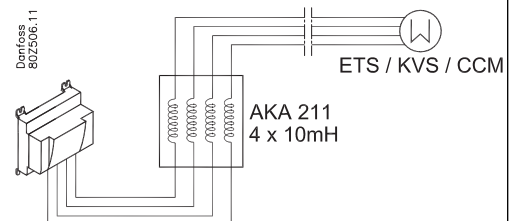
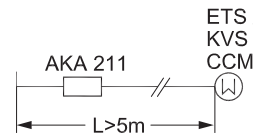
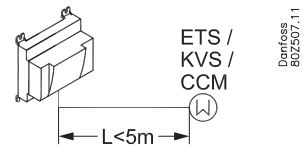
**Warning**  
Ensure power is disconnected before adding or removing Modules

### 4 x stepper valve output

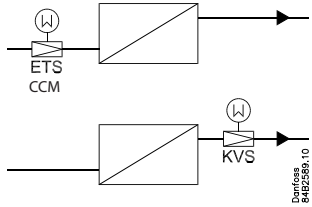
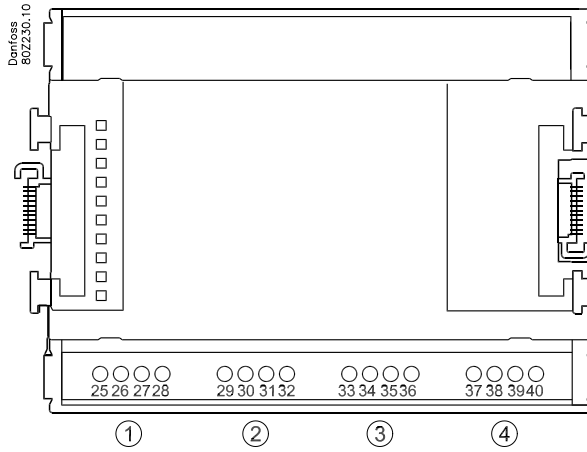


**Output:**  
24 V d.c.  
I<sub>max</sub> = 500 m A / coil

**L**

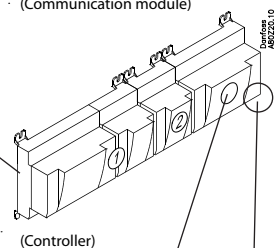
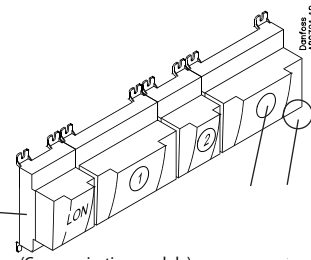
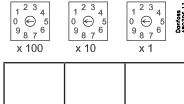


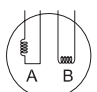
**Point**



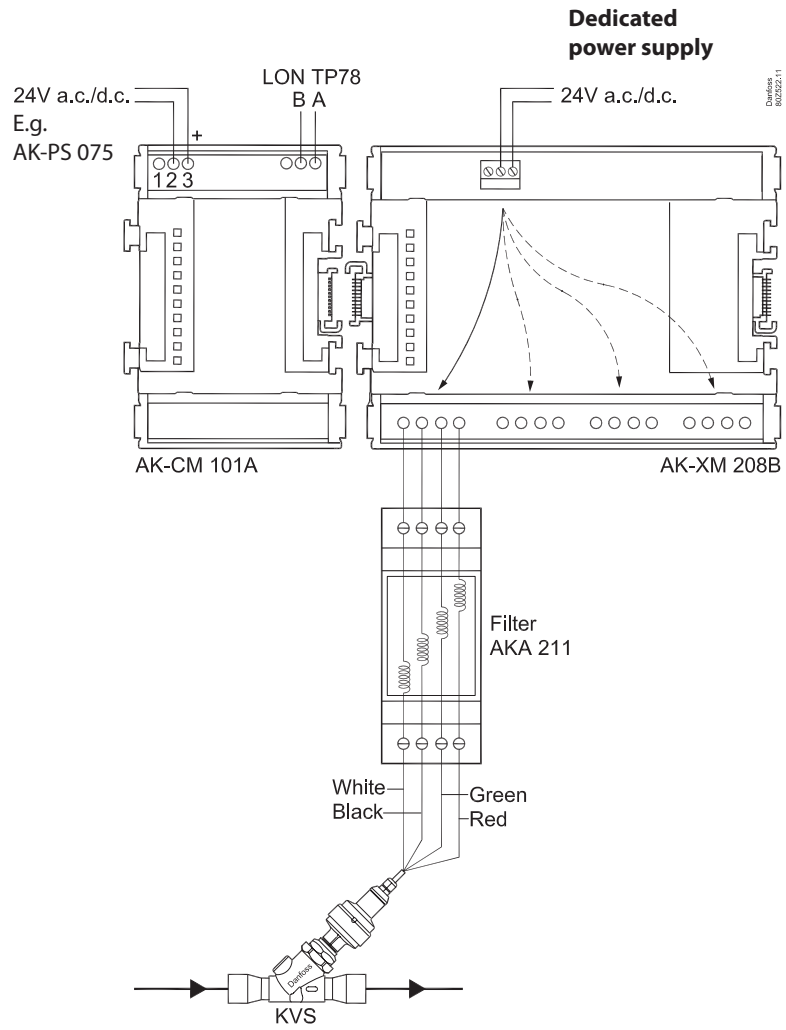
<b>Point / Terminal</b>	1	25	26	27	28
	2	29	30	31	32
	3	33	34	35	36
	4	37	38	39	40
<b>ETS</b>		White	Black	Red	Green
<b>CCM</b>		White	Black	Green	Red
<b>KVS 15</b>		White	Black	Green	Red
<b>KVS 42-54</b>		White	Black	Green	Red

**Address**



Valve	Module	Point	Terminals
 ETS/KVS/CCM		1	25 - 28
		2	29 - 32
		3	33 - 36
		4	37 - 40

Example



The Product contains electrical components  
And may not be disposed together with domestic waste.  
Equipment must be separate collected with Electrical and Elec-  
tronic waste. According to Local and currently valid legislation.