

Installation Guide

OAB-1 Office Alarm Box

Identification

The OAB-1 Office Alarm Box provides an audible and visible signal when an alarm is generated by your Danfoss environment control system. When an alarm occurs, the red LED on the OAB-1 turns on and a pulsing beep is sounded. A momentary contact switch mounted on the OAB-1 acts to silence the alarm but the red LED remains lit as long as the alarm condition persists. The OAB-1 is compatible with all Danfoss AK255 controllers as well as legacy controllers (AKC55, NC-25).



Specifications

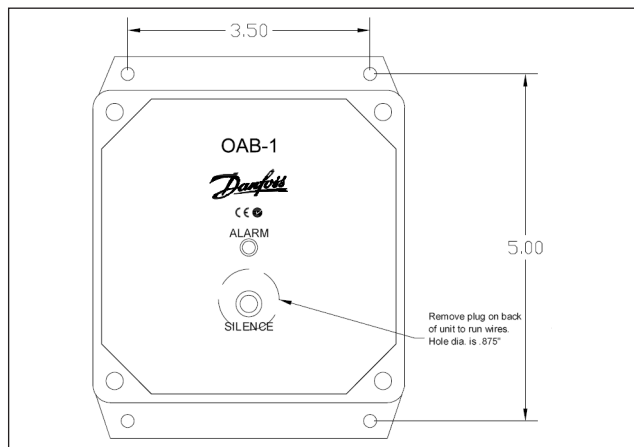
Size:	4 3/4" x 4 3/4" x 1 7/8" Standard wiremold enclosure
Cable :	Requires 6 conductor #18 THNN to controller
Power requirements:	12 VAC @ 500 miliamps supplied by the controller Dry contact rating: 15A (125/250/277)
Operating environment:	Ambient Temperature: -5°F to 160°F (-20°C to 70°C) Humidity: 0% to 95 % RH, non-condensing

Installation and Inspection

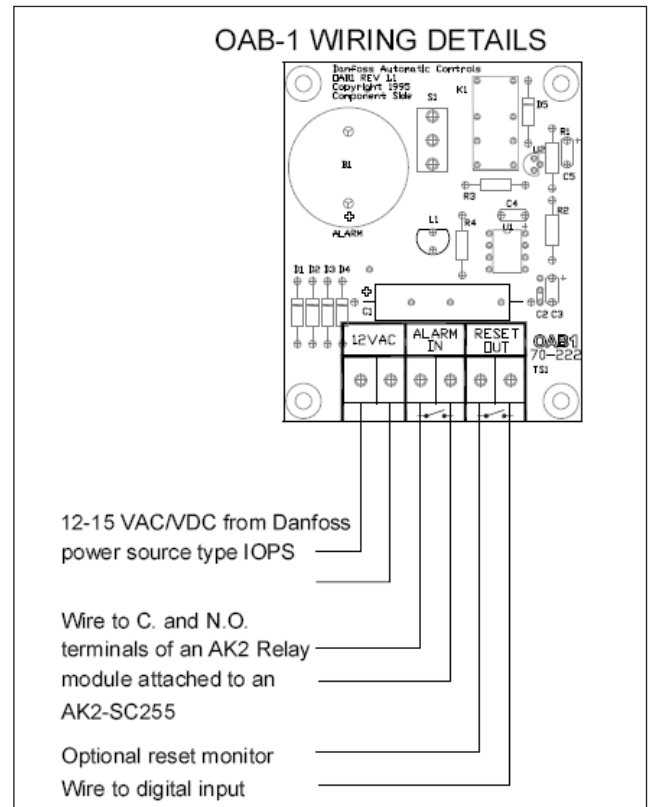
Typically, the OAB-1 is mounted in a manager’s office or at the sales floor courtesy desk. It is not a node on the I/O network; it is activated by and must be wired to an available relay point on the relay output module.

To connect the OAB-1 to your Danfoss environmental control system, use #18 AWG stranded wire from the two screw terminals labeled “Alarm In” to the NO and C terminals of an available relay output on the relay module.

Connect 12 VAC from a Danfoss power supply to the designated terminal strip on the board inside the OAB as shown at the left bottom in the wiring diagram.



OAB-1 WIRING DETAILS



Ordering

Description	Part #:
Office Alarm Box PC Board w/ audio, LED signal & reset	OAB-1

Danfoss Inc.
ELECTRONIC DIVISION
Baltimore, MD



The Product contains electrical components
And may not be disposed together with domestic waste.
Equipment must be separate collected with Electrical and Elec-
tronic waste. According to Local and currently valid legislation.