

Wireless Sensors In E2 and Site Supervisor

Quick Setup Guide

The Wireless Sensor product portfolio provides end users cost effective devices to retrofit existing spaces for occupancy control and daylight harvesting. These sensors are fully integrated into the Emerson Wireless Module System to work with the Wireless Gateway and E2 or Site Supervisor.

Part Number	Description	MFR Part Number
814-3710	Light Dimmer Module	M9-USR-EMR
814-3720	Occupancy Sensor	M9-EOSW
814-3730	Occupancy/Lux Sensor	M9-ML2
814-3740	Door/Window Sensor	M9-EDWS
814-3750	Temperature Sensor	M9-RTS1
814-3760	Temperature/ Humidity Sensor	M9-RTHS1

Table 1 - Product Ordering Information

Occupancy Sensor

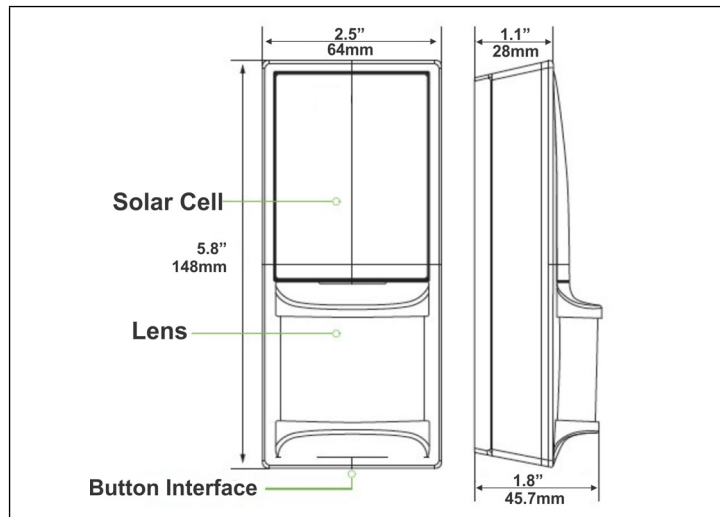


Figure 1 - Occupancy Sensor

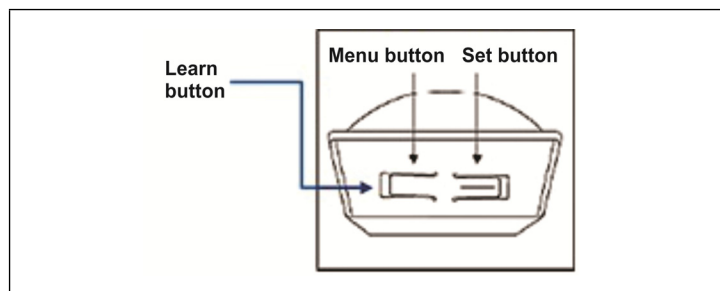


Figure 2 - Occupancy Sensor Menu

The Occupancy sensor (814-3720) is a wireless, solar-powered sensor that detects occupancy using passive infrared heat and motion sensing. The sensor transmits RF messages to use energy more efficiently.

- If motion is detected, an occupied status is transmitted immediately.
- A transmission interval starts to run with a two-minute lockout timer. No radio telegrams will be sent out until the timer expires.

Default Transmission Interval	Immediate upon detected motion
Lockout Timer	2 min
Unoccupied Send Delay	1 st @ 10 min 2 nd @ 30 min
Heartbeat Message Interval	1 hr

Table 2 - Occupancy Sensor Messages

Occupancy/Lux Sensor

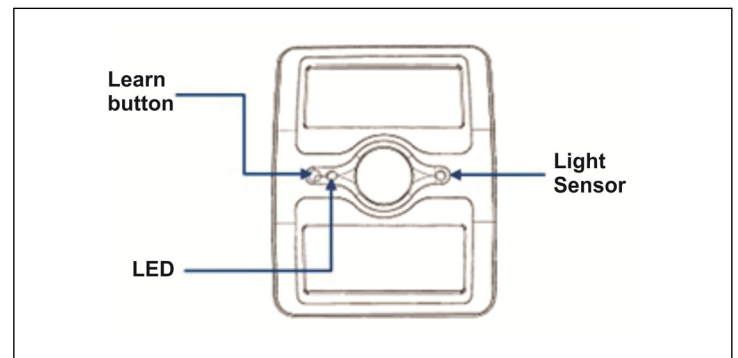


Figure 3 - Occupancy/Lux Sensor

The Occupancy/Lux Sensor (814-3730) is a wireless, solar-powered, passive infrared sensor that is ideally suited for occupancy-based lighting control and also provides for indoor daylight harvesting functionality.

Default Transmission Interval	Immediate upon detected motion
Status Signal Sent	Every 15 min with no change in occupancy state
Unoccupied Send Delay	5 min

Table 3 - Lux Sensor Messages

Door/Window Sensor

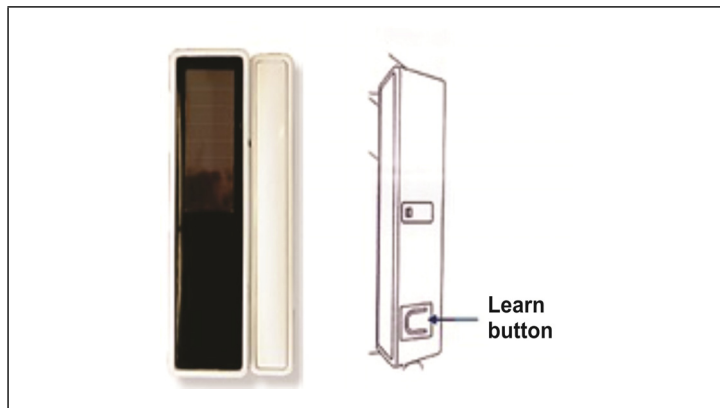


Figure 4 - Occupancy/Lux Sensor

The Door/Window Sensor (814-3740) is a wireless, solar-powered sensor that can be used to detect the open and closed status of doors or windows, or it can be paired with an Occupancy Sensor to accurately detect when someone enters or exits a room.

- The proximity of the sensor is important for proper detection. The alignment arrows on the sensor and the magnet must point to each other and the gap between them must not exceed 0.25in (6.4mm) in any direction.

Temperature and Temperature/Humidity Sensors

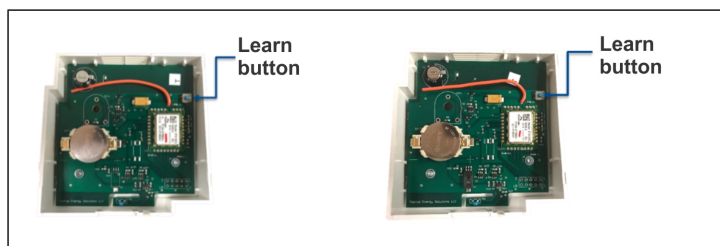


Figure 5 - Temp and Temp/Humidity Sensor

Solar-powered sensors are used to measure the room temperature (814-3750) or room temperature and rH (814-3760), and transmit this information wirelessly to the Emerson Wireless Gateway. Special indoor solar cells collect the power required for operation and data transfer from ambient light. During unlit periods, gold-cap capacitors continue to feed the transmitter. The wireless transmission technology

gives you a great deal of freedom in choosing the installation location.

- Temp Sensor transmission interval is 110 seconds with significant change in temperature or if manually operated.
- Temp/Humidity Sensor transmission interval is based on change of value or every 15 minutes.

Setup and Commissioning Sensors

Note: Must have firmware updated to E2 version 4.09F01 and Gateway version 1.40F01.

1. Go to the **Add Application** menu to add Wireless modules, (Menu, 6, 1, F4:LOOKUP, scroll down to **Wireless Module** and press Enter).
2. Enter how many modules (99 max) and press Enter.
3. **Do you wish to edit new application now?** Press N=No.
4. Once the Wireless Module application has been added, go to configured applications to commission the device (Menu, 5, 230. **Wireless Module**).
5. Select a Wireless Module from the list and press Enter.
6. Press Enter to open the **Actions Menu** and start commissioning (Enter, 9, 1:Commision Device).
7. The application will enter learning mode.
8. Within one (1) minute, press the **Learn** button on the Module.
9. When successful, the Module Status will display **Commissioned**, then **Good** when commissioning has completed.



This document may be photocopied for personal use.

Visit our website at <http://www.emerson.com/> for the latest technical documentation and updates.

Join Emerson Technical Support on Facebook. <http://on.fb.me/WUQRnt>

For Technical Support call 770-425-2724 or email SolutionsTechSup@Emerson.com

The contents of this publication are presented for informational purposes only and they are not to be construed as warranties or guarantees, express or implied, regarding the products or services described herein or their use or applicability. Emerson Climate Technologies Retail Solutions, Inc. and/or its affiliates (collectively "Emerson"), reserves the right to modify the designs or specifications of such products at any time without notice. Emerson does not assume responsibility for the selection, use or maintenance of any product. Responsibility for proper selection, use and maintenance of any product remains solely with the purchaser and end-user.
026-4265 Emerson is a trademark of Emerson Electric Co. ©2017 Emerson Climate Technologies Retail Solutions, Inc. All rights reserved.